



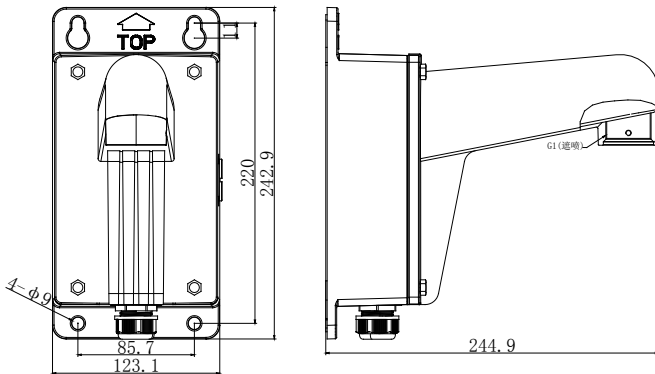
WML

Camera Wall Mount Long with Junction Box

Features:

- Aluminum alloy material with surface spray treatment
- Better waterproof design

Dimension:



Order Model:

WML

Parameter:

Model	WML
Parameters	Wall Mount Bracket adapt to various pendant caps
Appearance	Hikvision White
Range of Application	Suitable for various pendant caps
Material	Aluminum Alloy
Dimension	123.1mmX243mmX245mm
Weight	1285g

Note:

- Pay attention to color matching
- The bracket should be installed on flat wall
- The wall must be capable of supporting over 3 times as much as the total weight of the camera and the mount.
- The load capacity of the bracket is 5kG

Model Suitable:

For various pendant caps

Note: The actual bracket may vary from the picture above.